

Soulful intimate



exuberant magical

Meet Kii: We Live and Breathe Music.

We had a dream about audiophile sound playback that the boldest and biggest systems were only hinting at. We found that not only did we have all the expertise needed to realise this vision, there was nothing to stop us from condensing it into a remarkably compact and affordable product. This is it: the Wunderkind we've baptised "Kii THREE".

A Housebroken Speaker

Here's what we call "Life Acceptance Factor": would you rather listen in your living room or live in your listening room? The Kii THREE is engineered to work in real spaces. Even in an ordinary room it produces a balanced, coherent sound you wouldn't expect outside a purpose-built audio sanctuary.

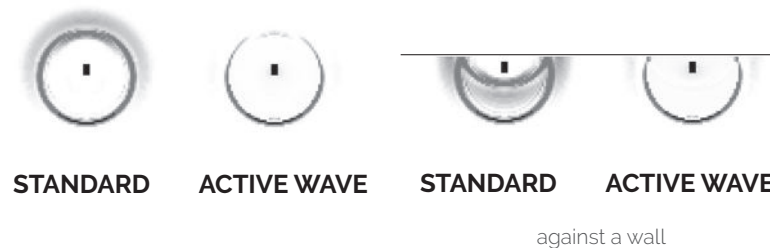
Contemporary High-End

The Kii THREE is a highly integrated technical marvel that only requires a signal source to work. It partners seamlessly with modern networked audio devices and remains perfectly compatible with classical digital and analogue sources. A system consisting of a streamer and a pair of Kii THREEs joins up the absolute best in high-end audio sound with contemporary ease of use.

the technology

The Kii THREE is the first compact speaker that exceeds the clarity of a full size sound system in a large room while its small size makes it equally at home in much more modest spaces. In fact, smaller rooms will benefit most from the Kii THREE's controlled directivity. Better than big speakers at sounding big and better adapted for small rooms than other compact speakers, Kii THREE is a truly no-compromise product.

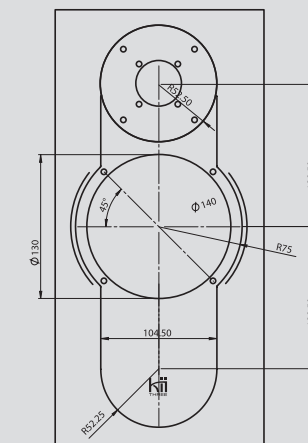
active wave focusing



The Kii THREE has a total of 6 (six) ways, front, side and rear, precisely coordinated to throw the sound forward towards the listener, without relying on a large baffle. The Kii THREE's ability to direct sound is comparable to, but much better controlled than that of a hypothetical traditional speaker two metres wide.

specifications

- Compact DSP controlled monitor speaker**
4x 6.5" woofer, 1x5" midrange,
1" waveguided tweeter, all individually driven
- Amplification:** 6x250W full-custom Ncore
- Active Wave Focusing** crossover filter
- Frequency response:**
+/- 0.5dB flatness to 25kHz, f3=20Hz
- Integrated tone control**
- Phase response:** selectable,
linear phase or minimum latency
- Peak SPL:** 115dB
- Protection limiters**
- Controlled Directivity:**
4.8dB (54Hz - 1kHz, slowly rising thereafter)
- Size:** 20x40x40cm, 8"x16"x16" (WxHxD)
- Weight:** 17kg (37lbs)
- Inputs:** Analogue, AES/EBU, KiiLink
- Selectable correction** for free-standing,
near wall or in corner (14 positions)
- Automatic Standby Mode**





life is live



time for your
kii moment?



Kii Audio GmbH
Drosselweg 45
51467 Bergisch Gladbach
Germany
+49 2202-2356289
mail@kii.audio
www.kiiaudio.com